

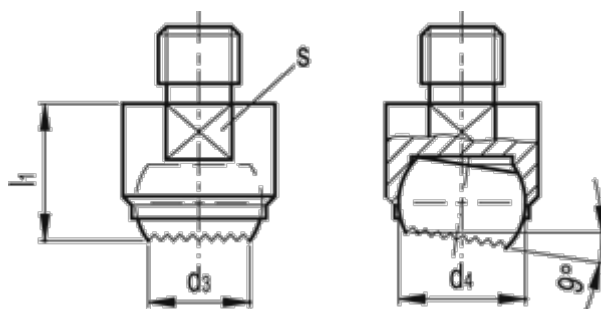
Data Sheet



Article number: 20252440

Description: E+G Clamping pad
GN 709.1-30-M16-R

Measures



d1	= 30
d2	= M16
d3	= 20.0
d4	= 25
$l_1 \pm 0.1$	= 27
l_2	= 16
Max static load (KN)	= 90
s	= 27

Weight (g) = 150